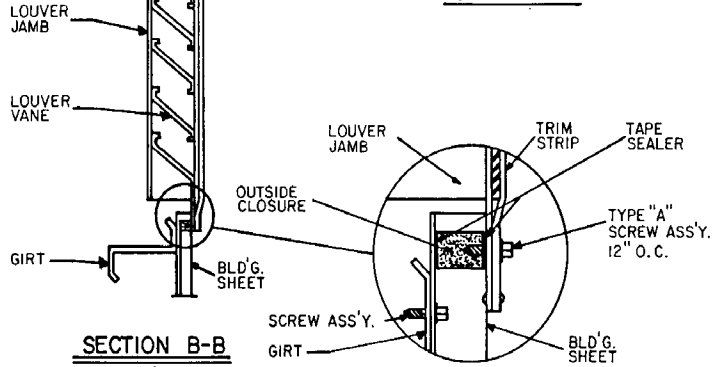
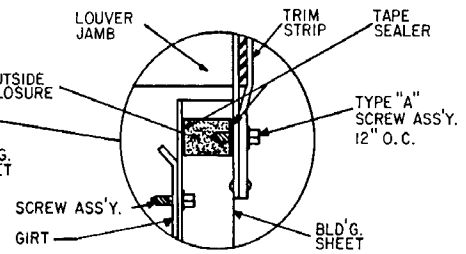


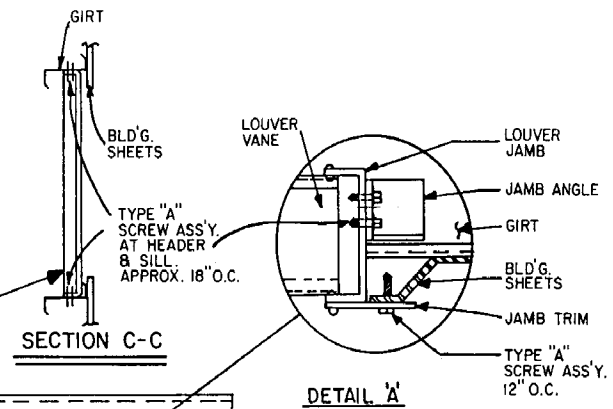
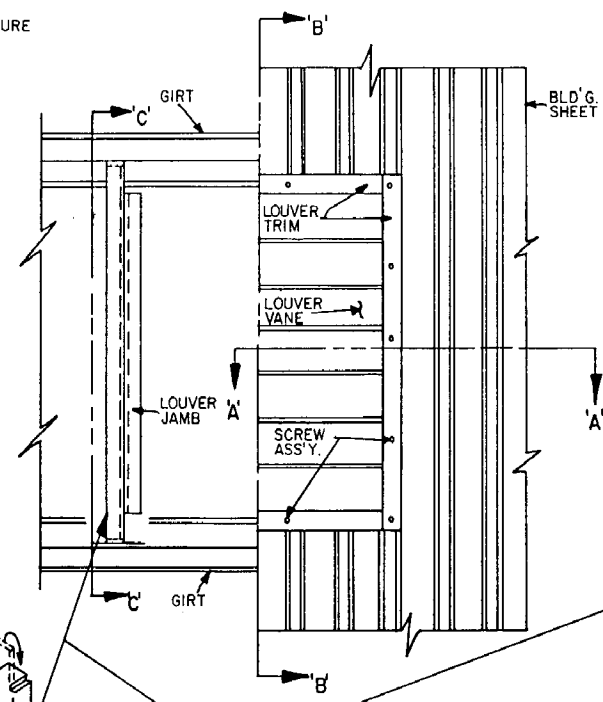
**DETAIL-B-1**



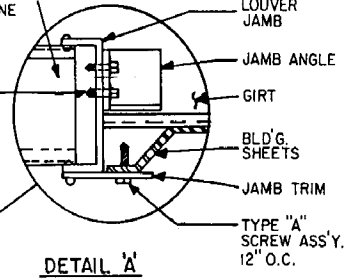
**SECTION B-B**



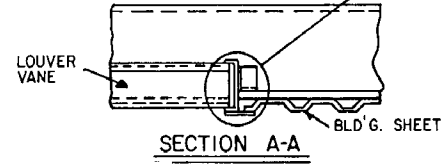
**DETAIL-B-2**



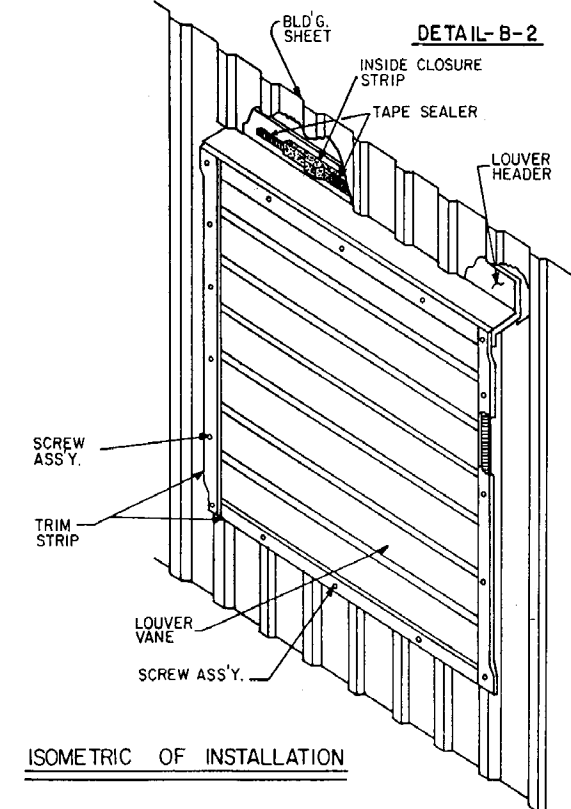
**SECTION C-C**



**DETAIL A**



**SECTION A-A**



**ISOMETRIC OF INSTALLATION**

LOUVER SCHEDULE			
SIZE (NOMINAL)		SHEET OPENING DIMENSION	
WIDTH	HEIGHT	WIDTH	HEIGHT
2'-0"	2'-0"	1'-9 1/2"	1'-10 1/2"
3'-0"	3'-0"	2'-9 1/2"	2'-10 1/2"
4'-0"	4'-0"	3'-9 1/2"	3'-10 1/2"

**Fixed Louver  
Assembly Details**