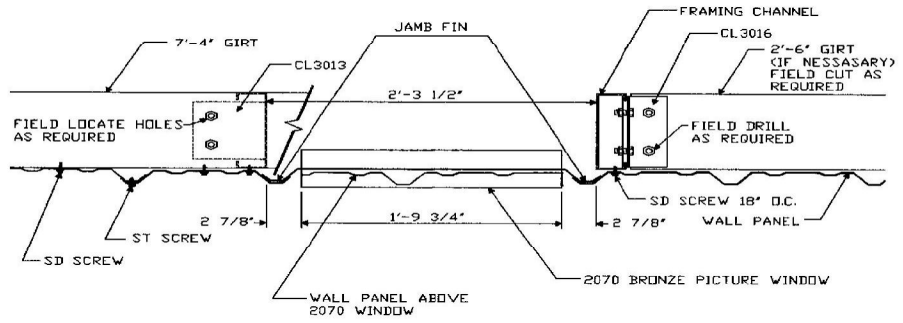
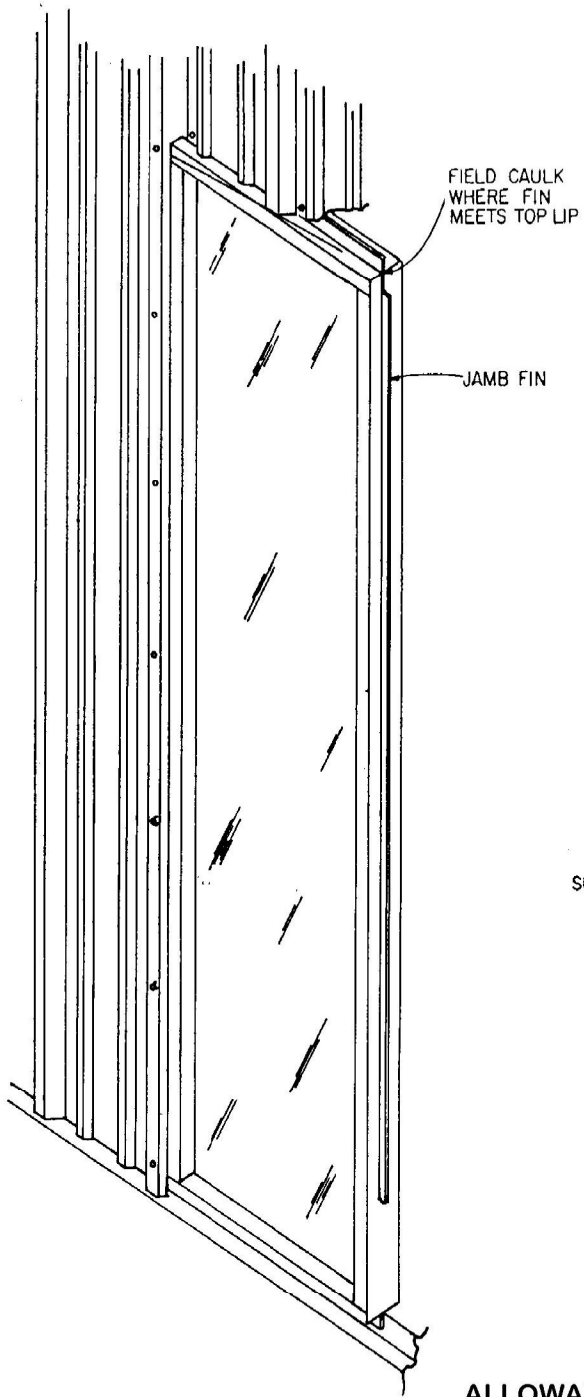
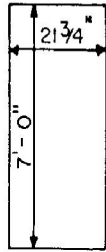


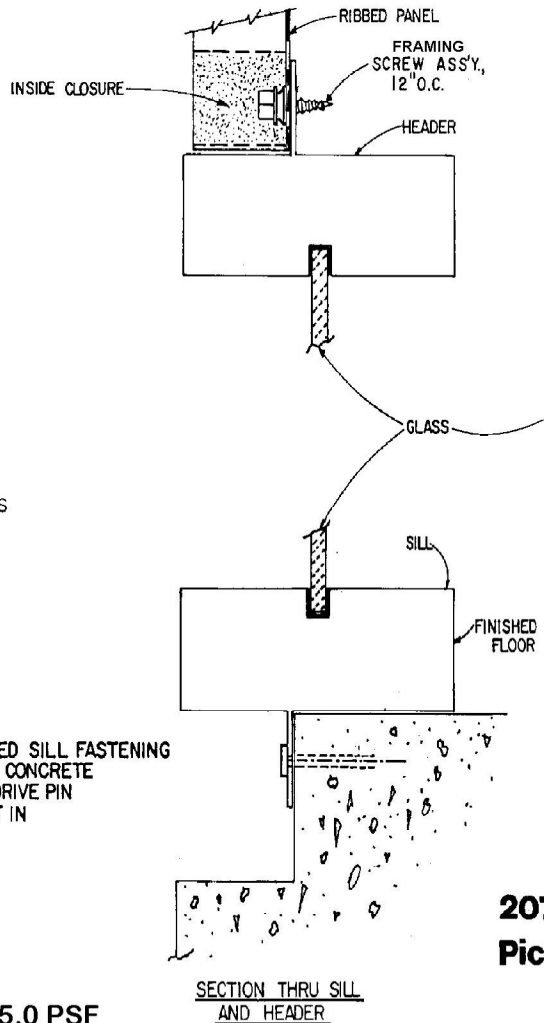
NOTE: FOR WINDOWS REQUIRING FL PRODUCT APPROVAL



FOR RED STEEL FRAMING DETAILS SEE MISCELLANEOUS FRAMED OPENING (NO HEADER REQUIRED)



SUGGESTED OPENING DIMENSIONS



SUGGESTED SILL FASTENING  
 STEP 1 DRILL CONCRETE  
 STEP 2 USE DRIVE PIN  
 STEP 3 GROUT IN

NOTES  
 1. SHEET IS CUT AT BASE OF MAJOR RIB. ALL PROFILES.  
 2. JAMB FIN'S ARE TO BE CHANGED FOR DIFFERENT SHEET PROFILES. PLEASE SPECIFY WHEN ORDERING.

ALLOWABLE WIND LOAD = 45.0 PSF

**2070 Bronze Picture Window**