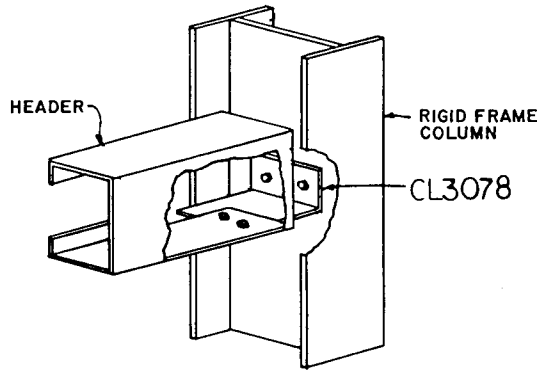
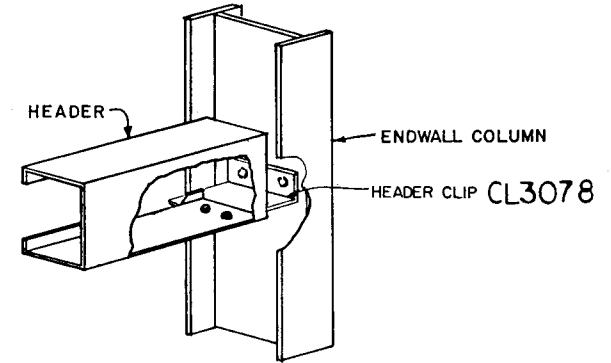


CORNER COLUMN

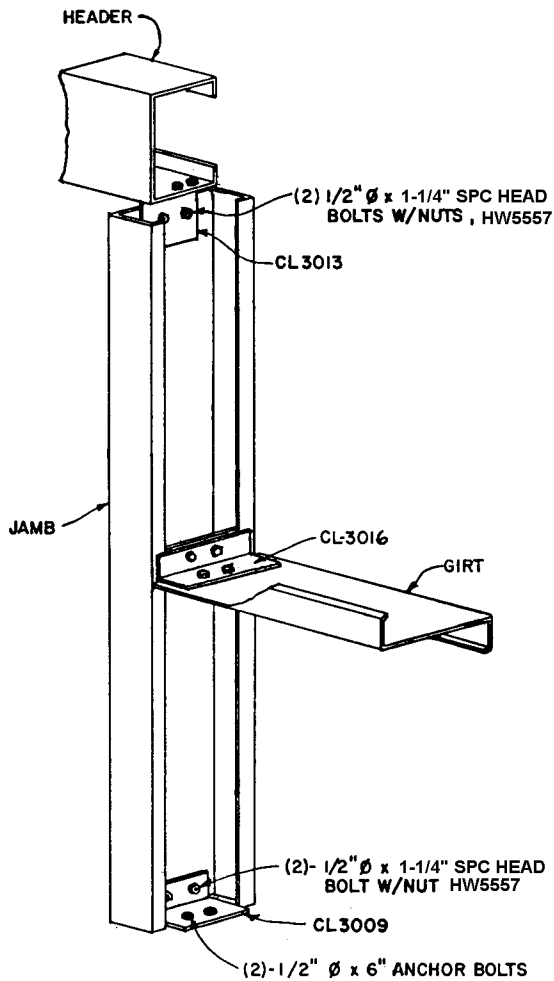


INSERT GIRT RIGID FRAME

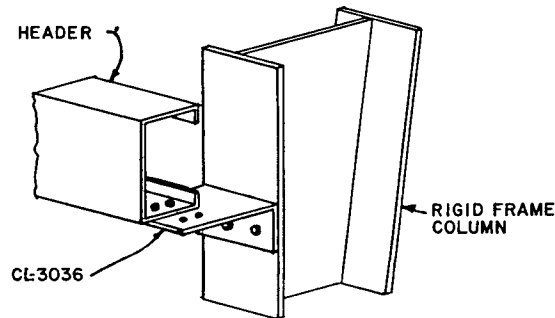


ENDWALL COLUMN

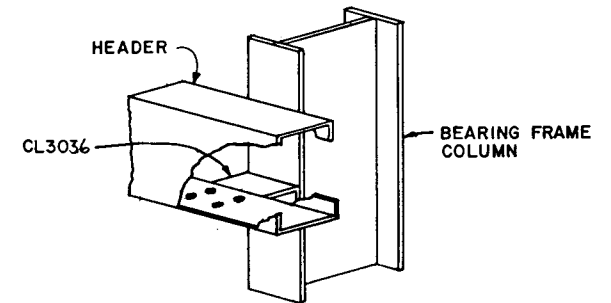
(ALL BOLTS 1/2" Ø x 1-1/4" UNLESS NOTED)



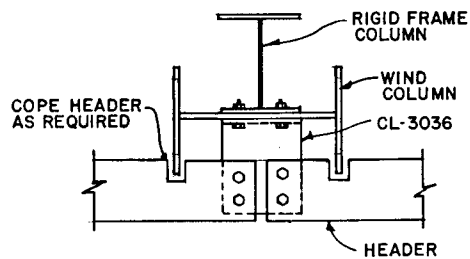
JAMB CONNECTIONS



BYPASS GIRT RIGID FRAME



BEARING FRAME



WIND COLUMN