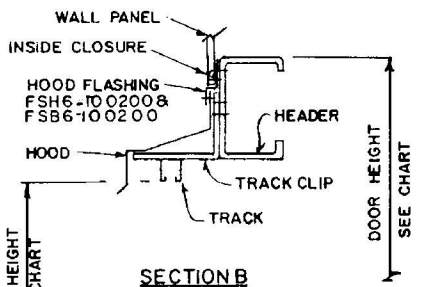


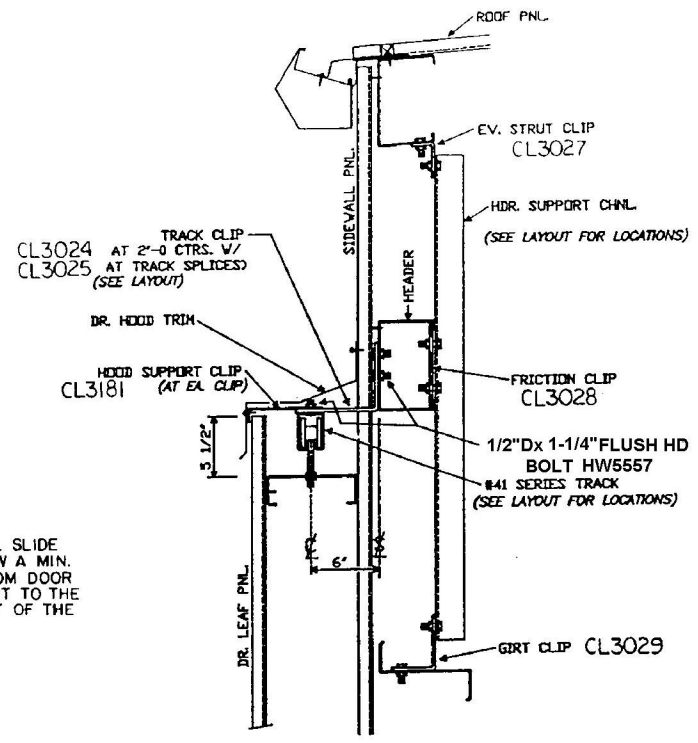
SECTION B (AT EAVE)



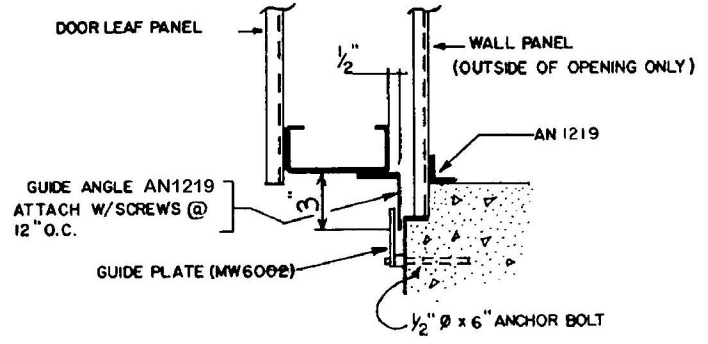
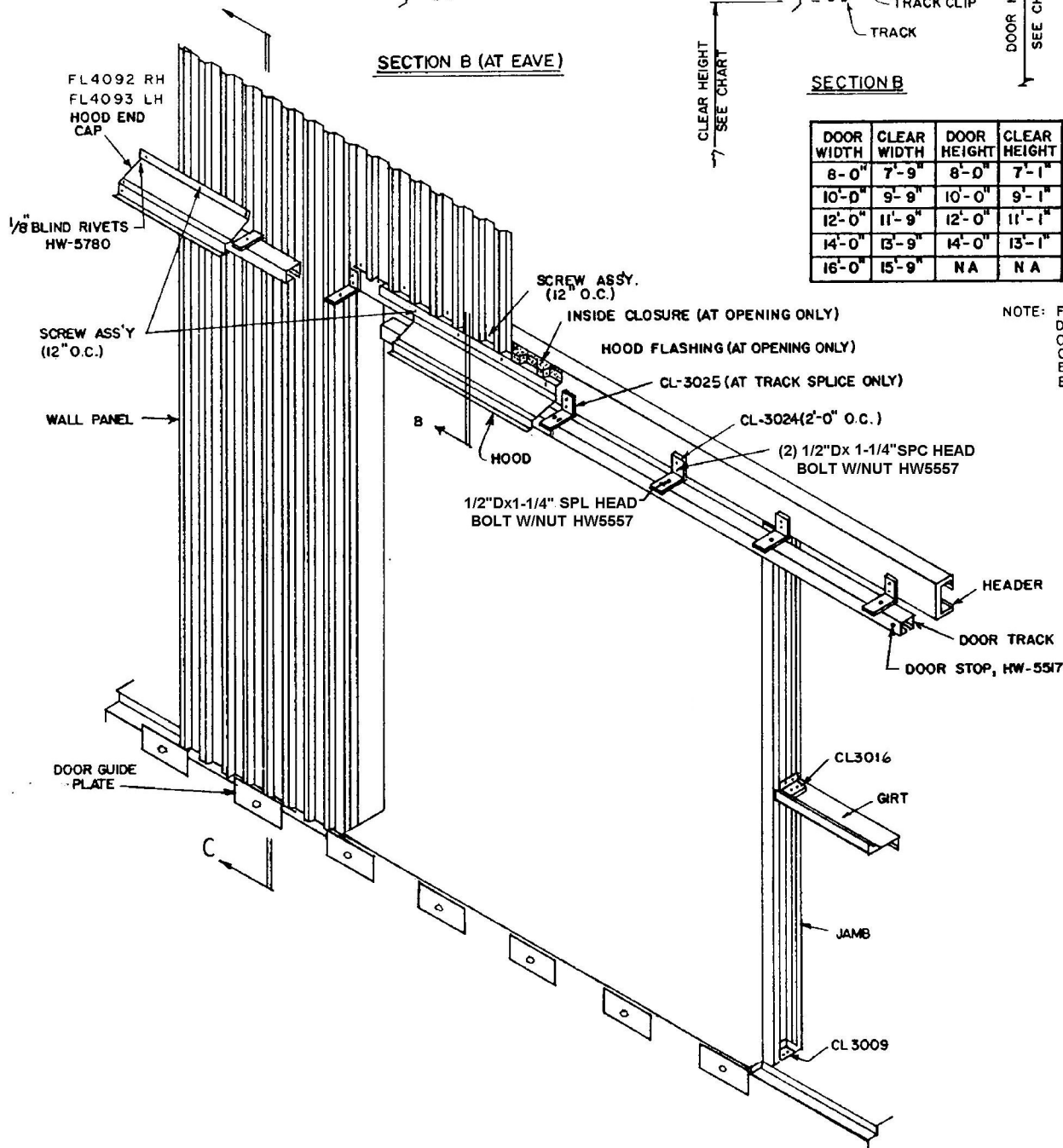
SECTION B

DOOR WIDTH	CLEAR WIDTH	DOOR HEIGHT	CLEAR HEIGHT
8'-0"	7'-9"	8'-0"	7'-1"
10'-0"	9'-9"	10'-0"	9'-1"
12'-0"	11'-9"	12'-0"	11'-1"
14'-0"	13'-9"	14'-0"	13'-1"
16'-0"	15'-9"	N A	N A

NOTE: FOR ENDWALL SLIDE DOORS ALLOW A MIN. OF 1'-8" FROM DOOR CLEAR HEIGHT TO THE EAVE HEIGHT OF THE BUILDING



SECTION "C"
(OUTSIDE OF OPNG.)



SECTION "C"