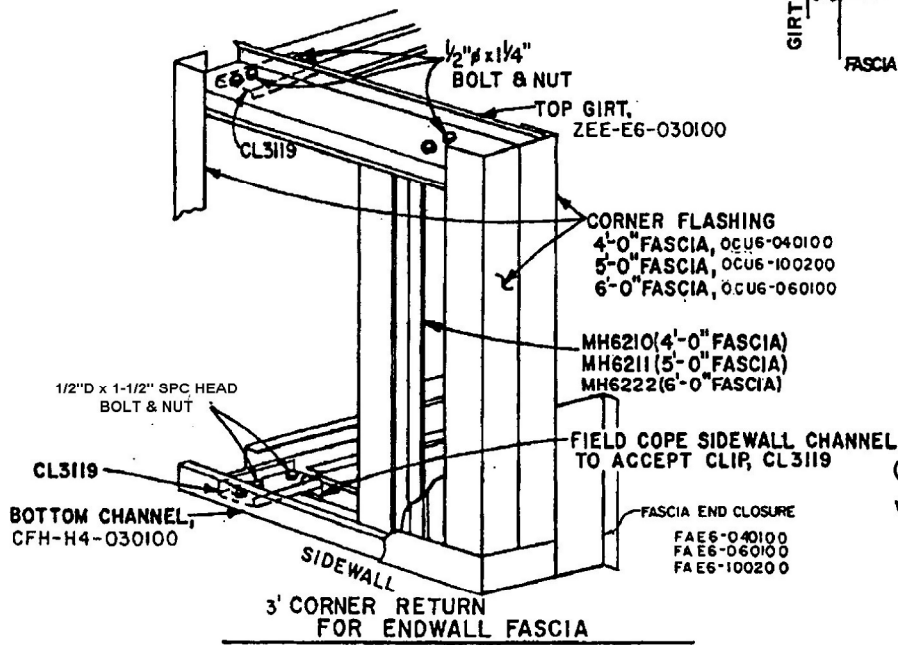
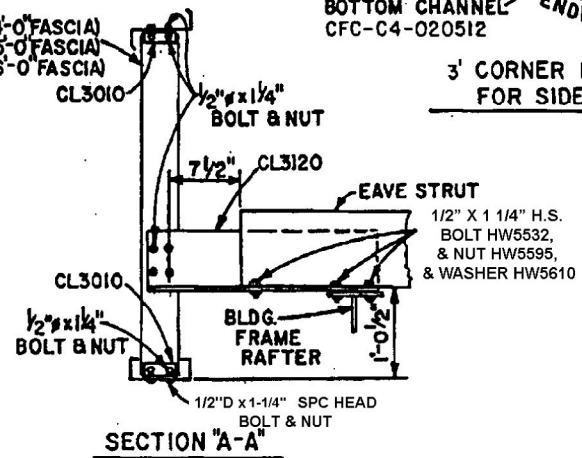
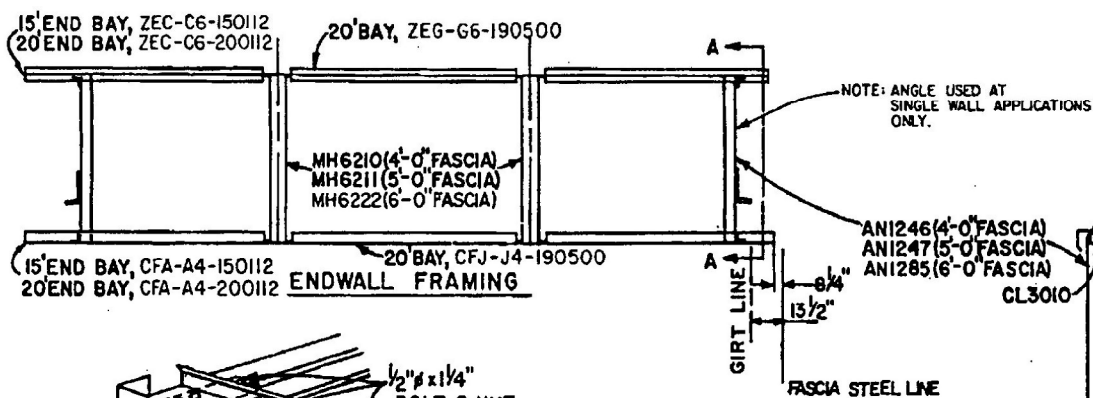


3' CORNER RETURN FOR SIDEWALL FASCIA



Gauge of members shown will vary with wind load & code

Vertical Fascia Framing & Flashing Details