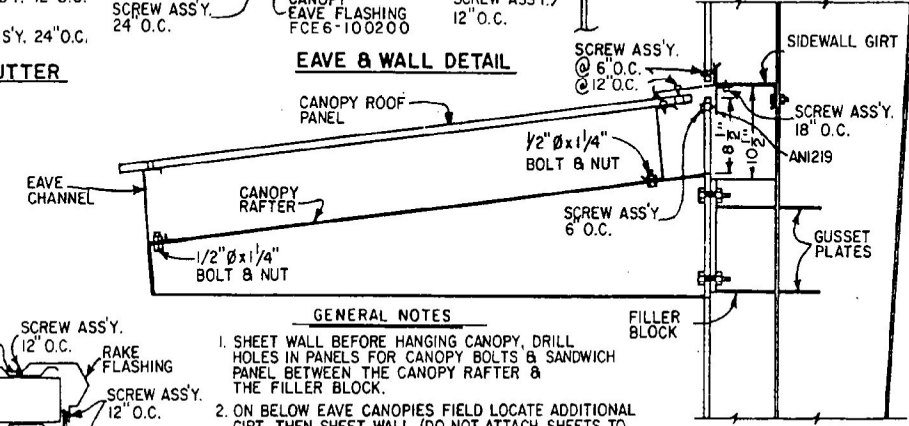
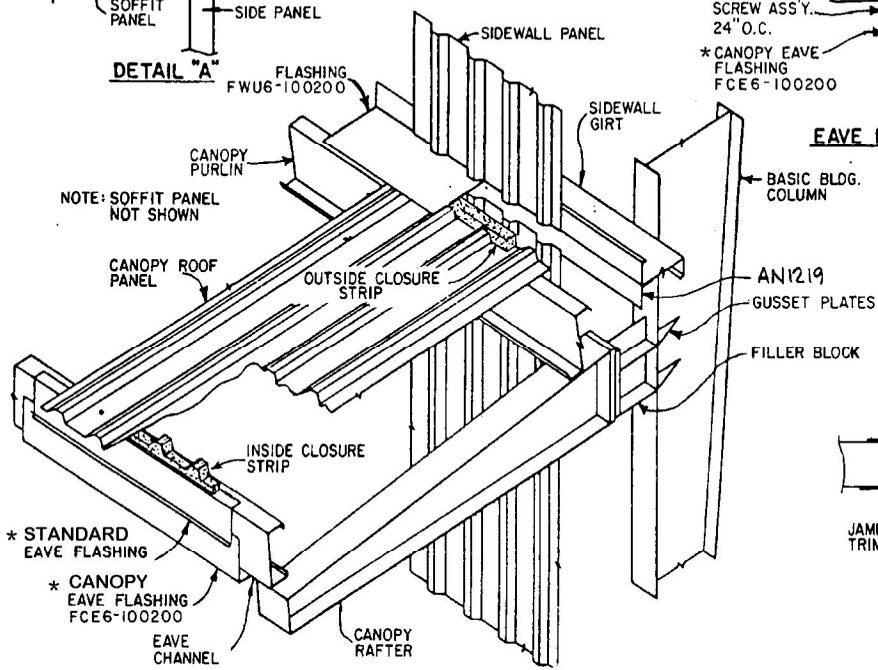
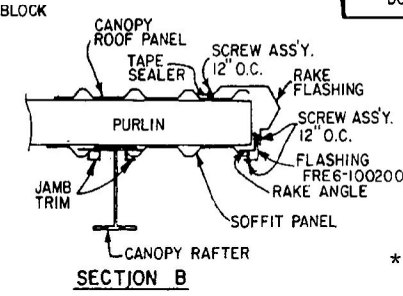


NOTE: SOFFIT PANEL SIDELAPS - USE HW5511 SCREWS, @ 18" O.C.



- GENERAL NOTES**
1. SHEET WALL BEFORE HANGING CANOPY, DRILL HOLES IN PANELS FOR CANOPY BOLTS & SANDWICH PANEL BETWEEN THE CANOPY RAFTER & THE FILLER BLOCK.
 2. ON BELOW EAVE CANOPIES FIELD LOCATE ADDITIONAL GIRT, THEN SHEET WALL (DO NOT ATTACH SHEETS TO ADDITIONAL GIRT UNTIL CANOPY ROOF IS FLASHED) & HANG CANOPY RAFTERS. THEN ATTACH AN AN1219 TO GIRT & PANELS TO ANGLE.
 3. FOR CANOPY ROOF FASTENERS & TAPE SEALER SEE STD. SHEETING ISOMETRIC.
 4. STANDARD AND CANOPY EAVE FLASHINGS ARE ONLY PROVIDED WHEN THERE IS A SOFFIT ON THE CANOPY.



CANOPY	PART NO.	BOLTS	WASHERS	NUTS
4'	RR6549	(4)-HW5602	(4)-HW5612	(4)-HW5597
6'	RR6550	(4)-HW5539	(4)-HW5612	(4)-HW5597
8'	RR6551	(4)-HW5539	(4)-HW5612	(4)-HW5597
10'	RR6552	(4)-HW5539	(4)-HW5612	(4)-HW5597
12'	RR6559	(4)-HW5539	(4)-HW5612	(4)-HW5597
5'	RR6560	(4)-HW5602	(4)-HW5612	(4)-HW5597

Tapered Beam Canopy Framing, Sheeting & Flashing Details