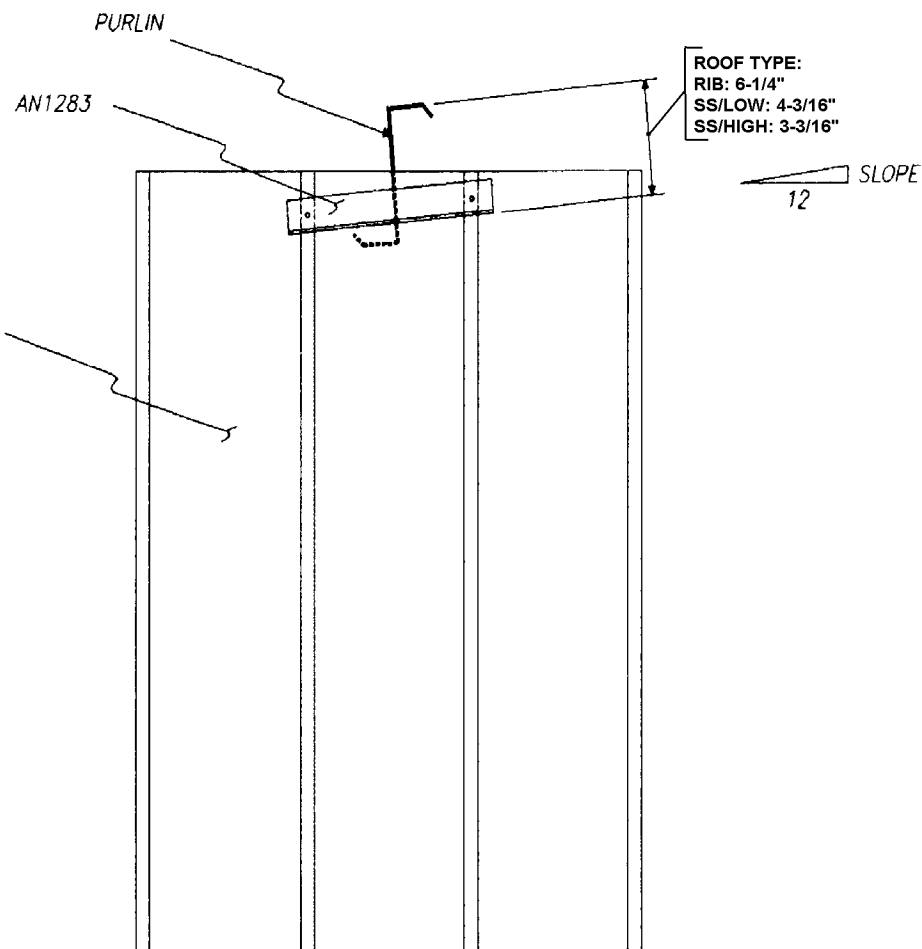


ANGLE AN1283 (FIELD CUT TO 1'-3" LENGTHS)  
 ATTACH TO PANEL RIBS WITH SELF TAPPING SCREW.  
 ANGLES REQ'D. 5 FEET ON CENTER.  
 ALIGN ANGLE W/ ROOF SLOPE.



NOTE: RETAINER ANGLES ARE TO KEEP RAKE FLASHING FROM BECOMING DISENGAGED FROM THE RAKE SLIDE IN HIGH WIND CONDITIONS.

RAKE SLIDES & RETAINER ANGLE ARE PROVIDED ON GABLED BUILDINGS 120' WIDE AND GREATER AND ON SINGLE SLOPE BUILDINGS 60' WIDE AND GREATER.

## Rake Slide Retainer Angle