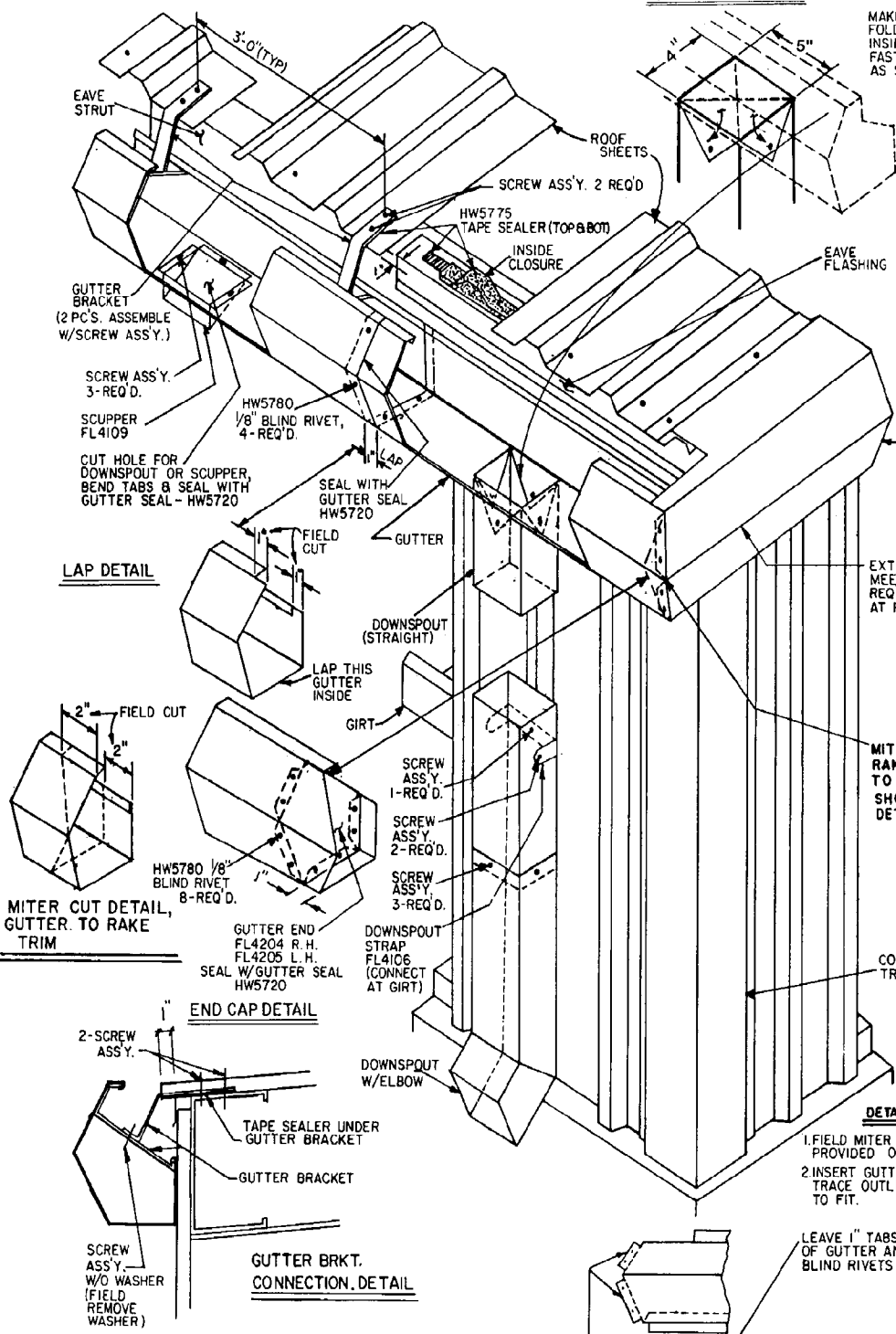
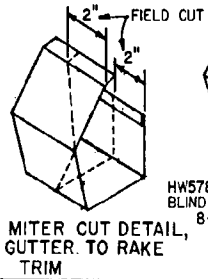


**DOWNSPOUT DETAIL**

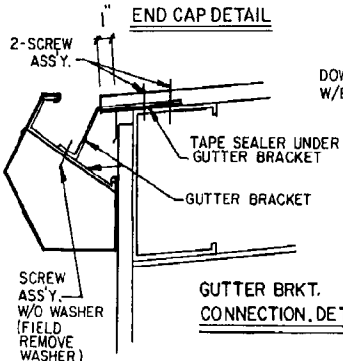


MAKE DIAGONAL CUTS, FOLD DOWN TABS INSIDE DOWNSPOUT. FASTEN WITH 3 SCREWS AS SHOWN.

**LAP DETAIL**



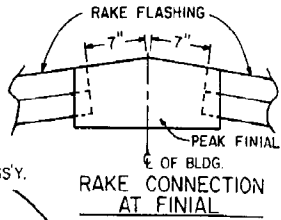
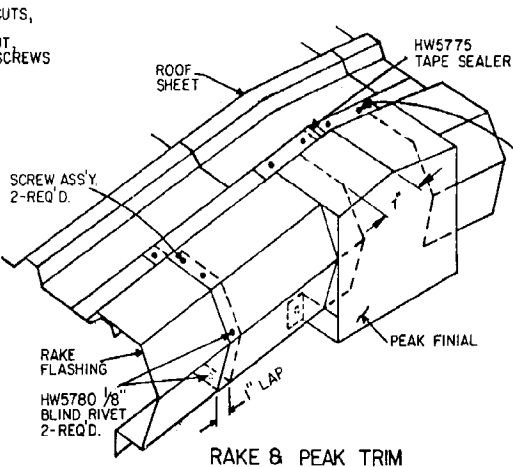
**END CAP DETAIL**



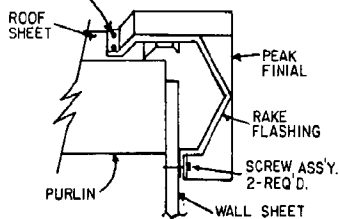
**DETAIL "A"**

1. FIELD MITER GUTTER AS PER TEMPLATE PROVIDED ON PAGE 25 & 26
  2. INSERT GUTTER IN RAKE TRIM TO SNUGGNESS, TRACE OUTLINE IN RAKE TRIM & HAND SHEAR TO FIT.
- LEAVE 1" TABS IN RAKE TRIM TO FOLD INSIDE OF GUTTER AND CONNECT WITH 4-HW5780 BLIND RIVETS AS SHOWN.

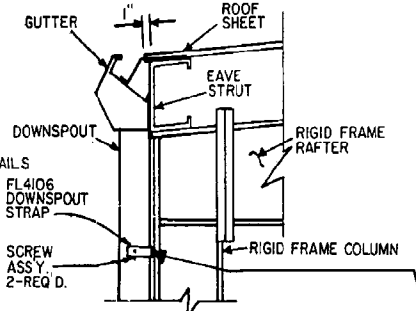
**RAKE & PEAK TRIM**



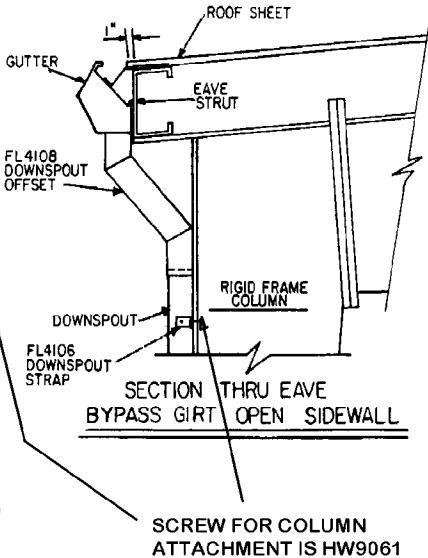
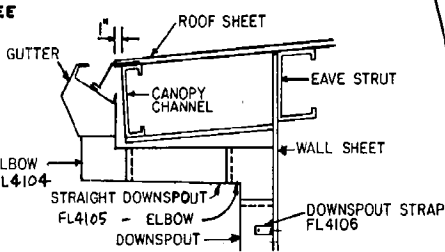
**SECTION THRU RAKE AT PEAK**



**SECTION THRU EAVE INSERT GIRT OPEN SIDEWALL**



**DOWNSPOUT RETURN AT CANOPY**



**Gutter and Rake Flashing Details**