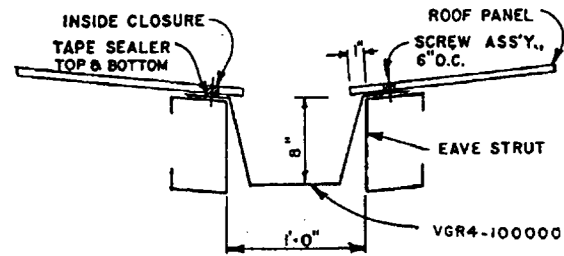
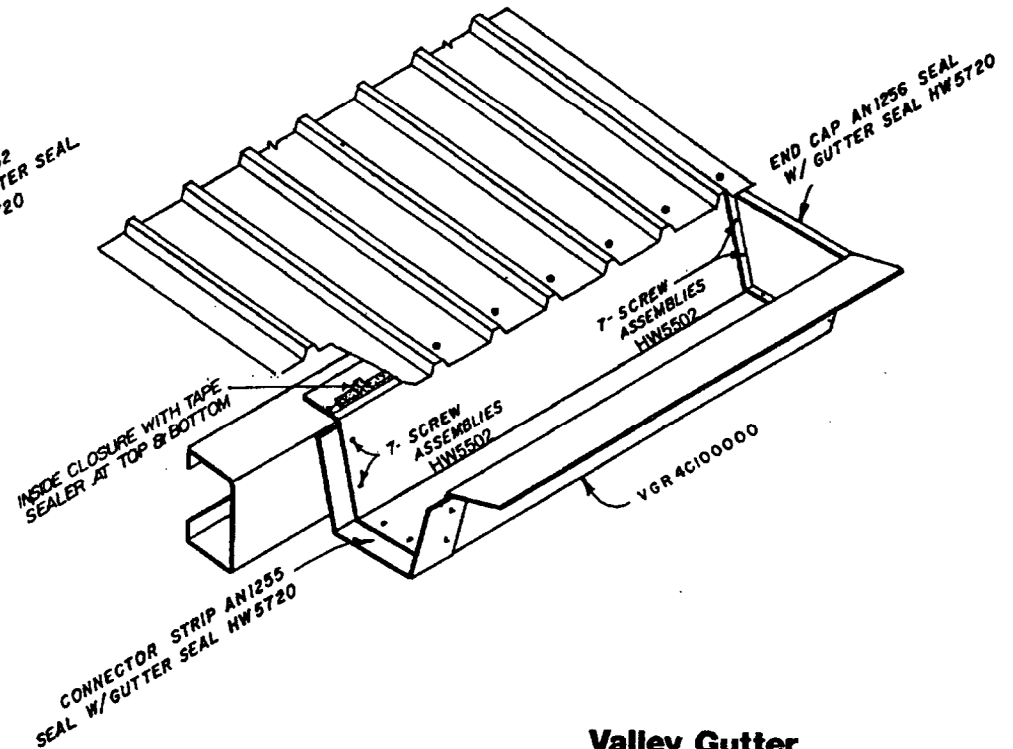
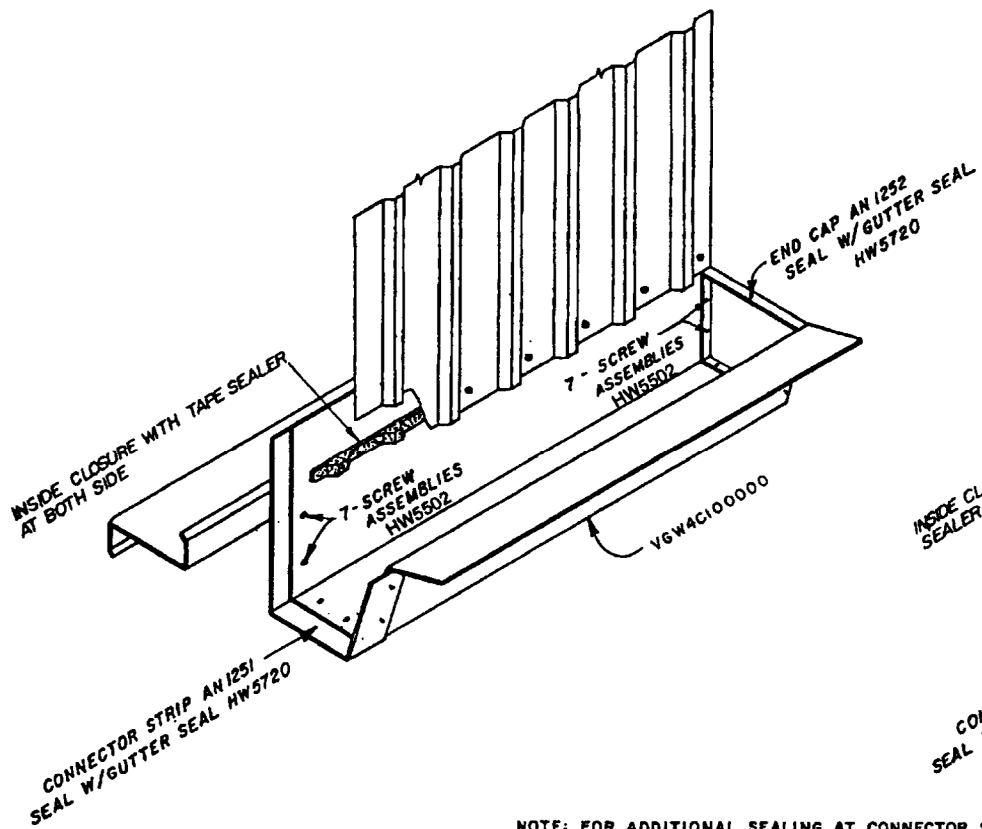


GIRT LINE TO GIRT LINE CLEARANCE  
WALL TO ROOF



GIRT LINE TO GIRT LINE CLEARANCE

ROOF TO ROOF



NOTE: FOR ADDITIONAL SEALING AT CONNECTOR STRIPS & END CAPS FIELD SOLDER JOINTS & SEAL WITH ROOFING CEMENT. (NOT BY DEAN STEEL BLDGS.)

## Valley Gutter Details