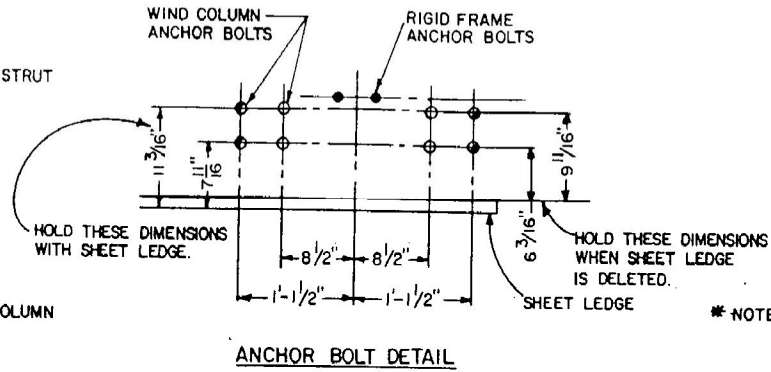
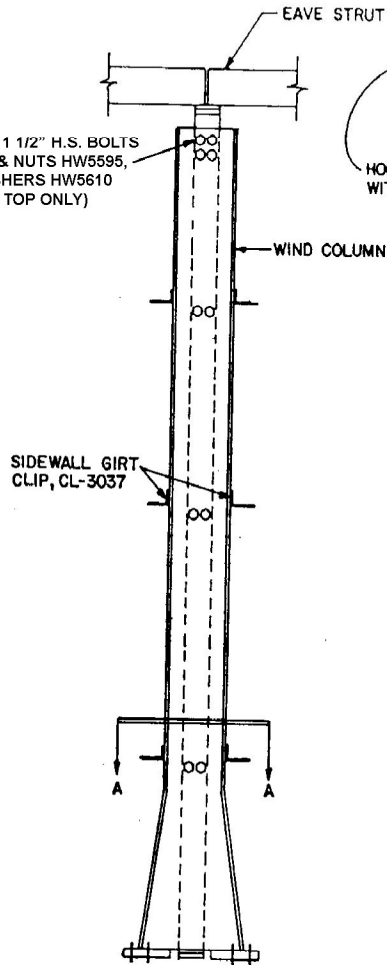


(4) - 1/2" X 1 1/2" H.S. BOLTS
HW5604, & NUTS HW5595,
& WASHERS HW5610
(AT TOP ONLY)



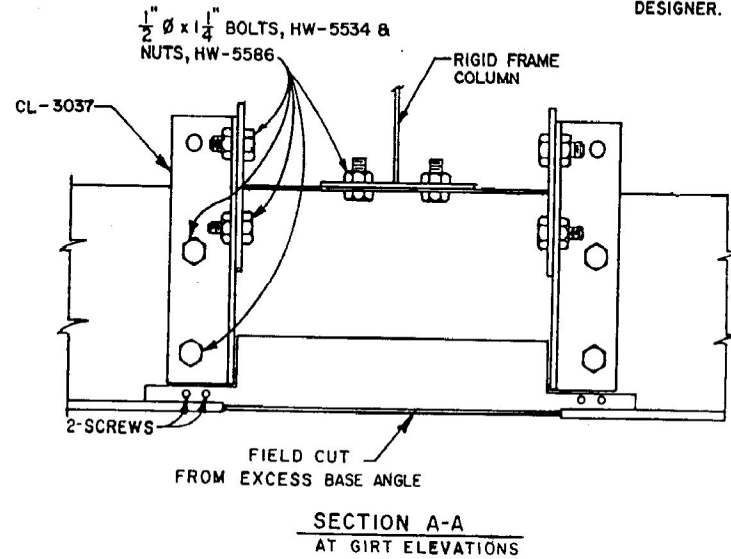
- - BASIC BLDG ANCHOR BOLTS
- - WIND COLUMN ANCHOR BOLTS
- ◐ - ADDITIONAL ANCHOR BOLTS USED WITH TYPE B & C WIND COLUMNS

ANCHOR BOLT SCHEDULE			
TYPE	DIAMETER	LENGTH*	QTY
A	1"	2'-2"	4
B	1"	1'-6"	8
C	1 1/4"	2'-0"	8

NOTE: ALL WIND COLUMN ANCHOR BOLTS HAVE A 2' PROJECTION

* NOTE: RECOMMENDED MINIMUM EMBEDDED LENGTH (INCLUDING HOOK) OF THE ANCHOR BOLTS AT FULL MOMENT CAPACITY OF THE WIND COLUMN. ANCHOR BOLT LENGTH IS BASED ON ALLOWABLE BOND STRESS OF 160psi PER PAGE 279, STRUCTURAL DESIGN GUIDE TO A.I.S.C. SPECIFICATIONS FOR BUILDINGS, 1976 ED.

ALTERNATE LENGTHS MAY BE SPECIFIED AT THE OPTION OF THE FOUNDATION DESIGNER.



Bypass Girt Wind Column Detail