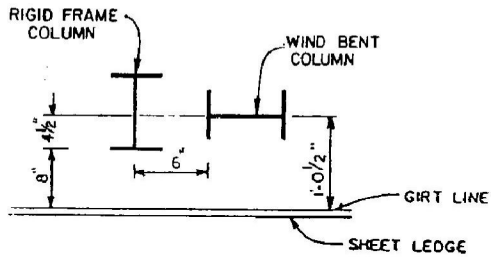
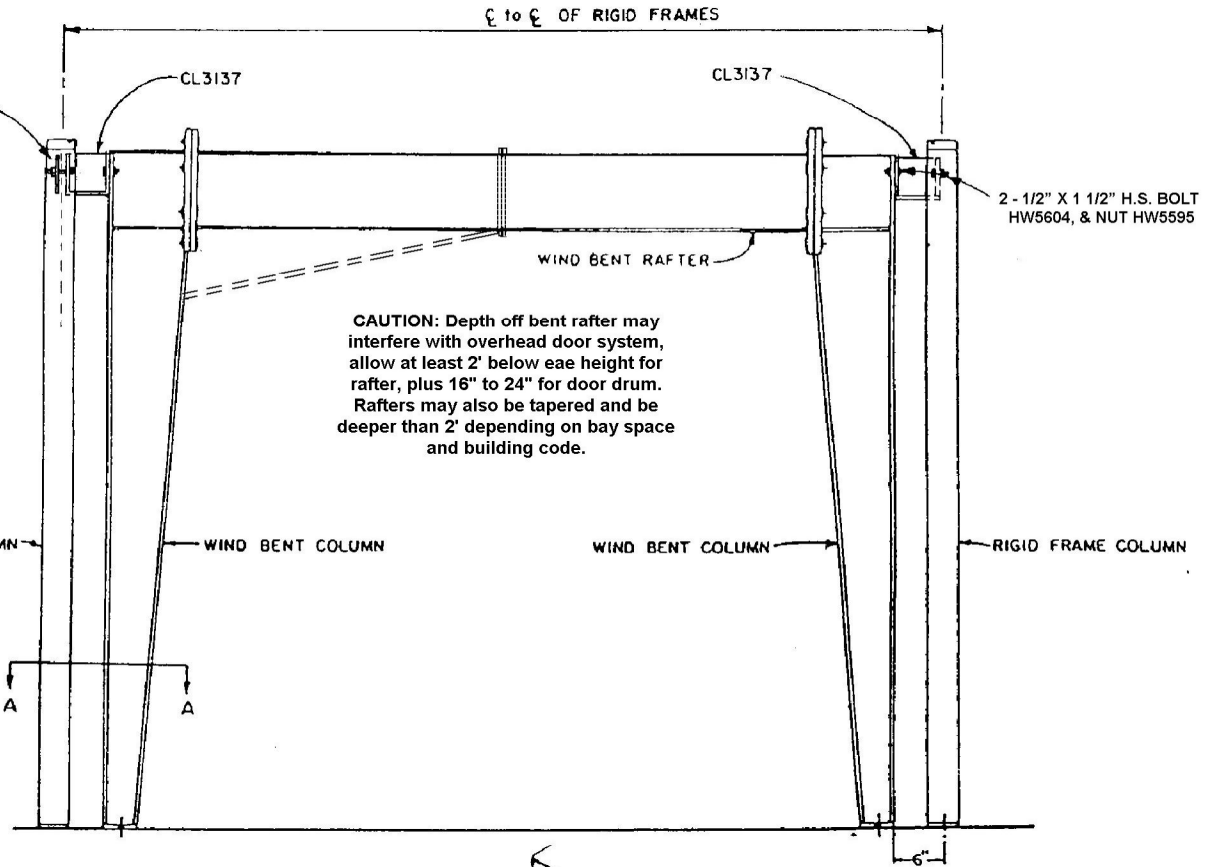


ANCHOR BOLT PLAN

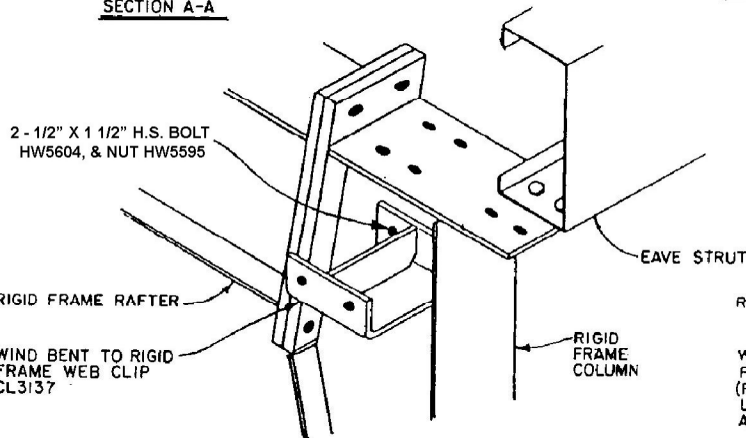
NOTE: WIND BENT DOES NOT INTERFERE WITH SIDEWALL FRAMING



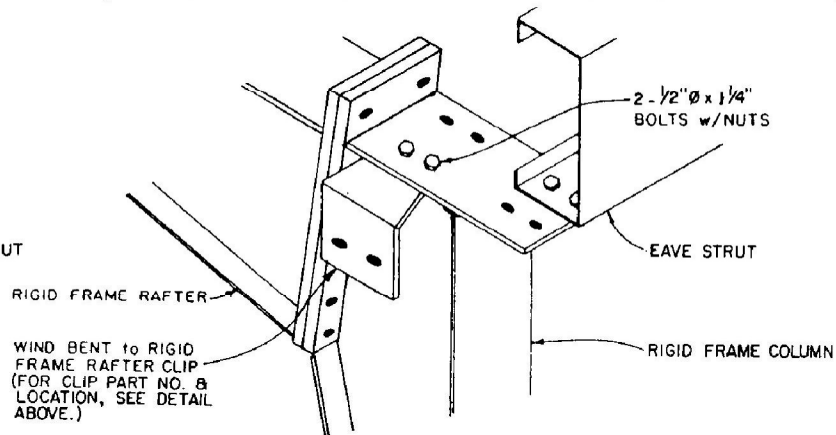
SECTION A-A



CAUTION: Depth off bent rafter may interfere with overhead door system, allow at least 2' below eae height for rafter, plus 16" to 24" for door drum. Rafters may also be tapered and be deeper than 2' depending on bay space and building code.



WIND BENT TO RIGID FRAME RAFTER CLIP LOCATION (STANDARD)



WIND BENT TO RIGID FRAME RAFTER CLIP LOCATION (OPTIONAL)

Bypass Girt Wind Bent Details