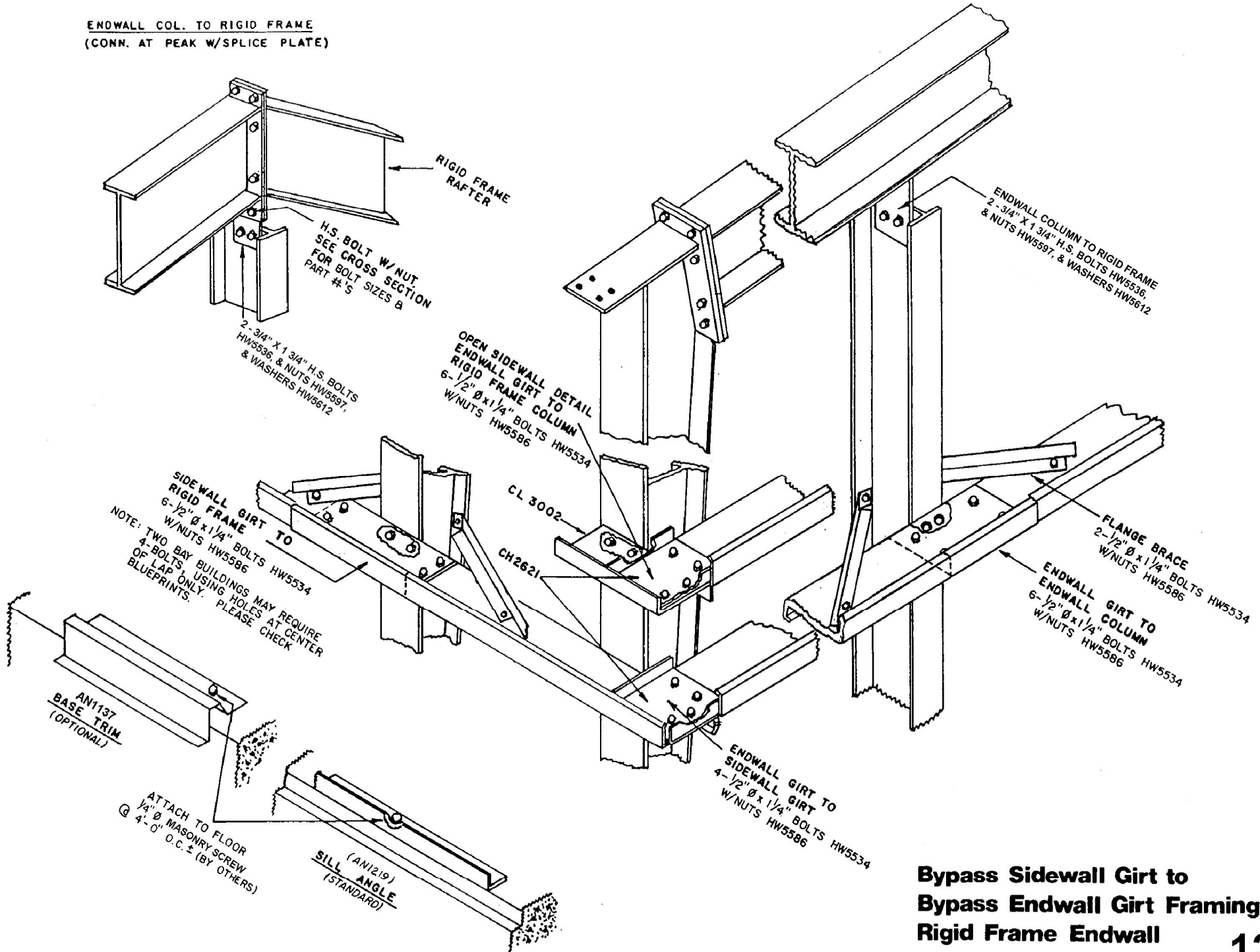


**ENDWALL COL. TO RIGID FRAME
(CONN. AT PEAK W/SPLICE PLATE)**



**Bypass Sidewall Girt to
Bypass Endwall Girt Framing/
Rigid Frame Endwall**