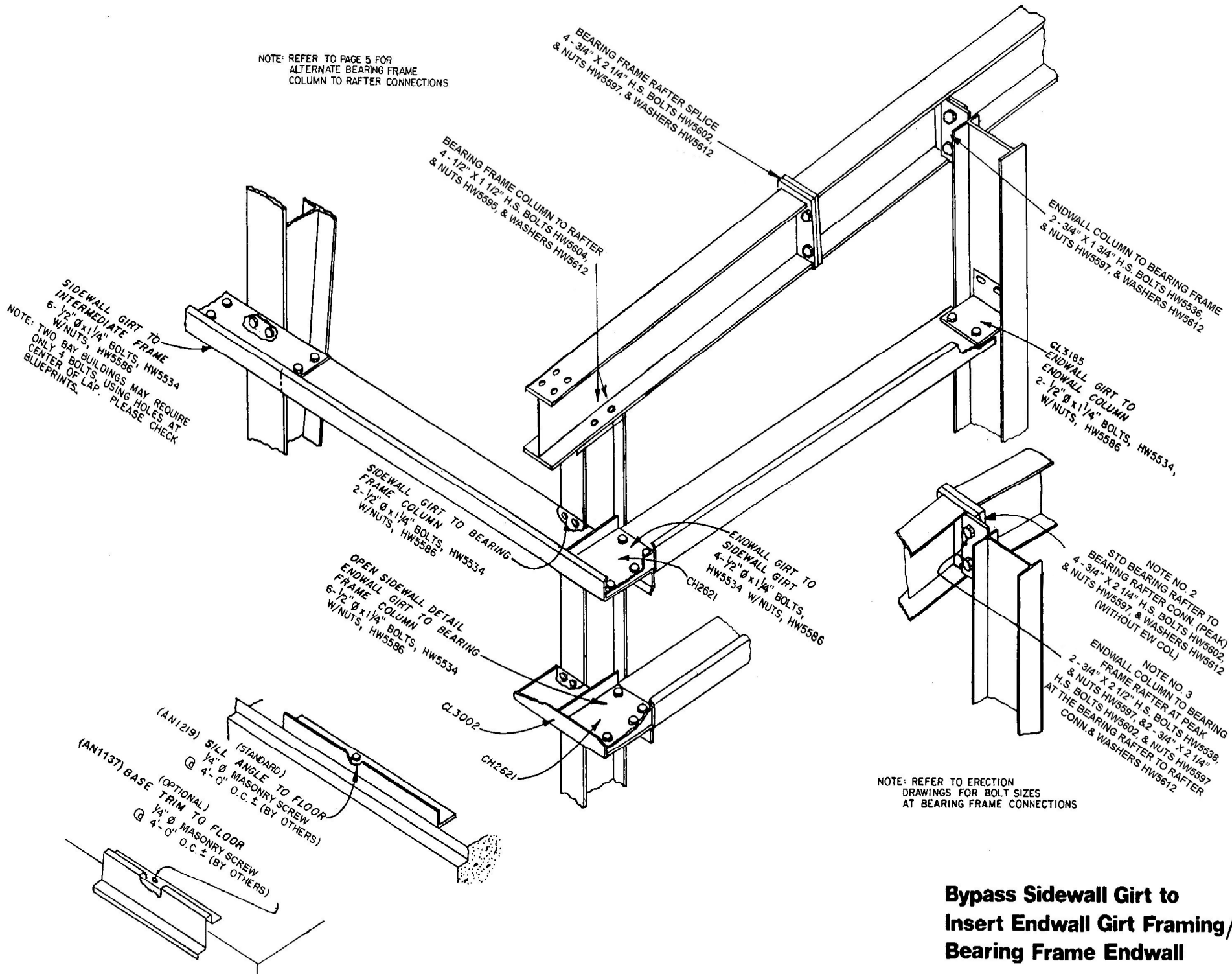


NOTE: REFER TO PAGE 5 FOR  
ALTERNATE BEARING FRAME  
COLUMN TO RAFTER CONNECTIONS



NOTE: REFER TO ERECTION  
DRAWINGS FOR BOLT SIZES  
AT BEARING FRAME CONNECTIONS

**Bypass Sidewall Girt to  
Insert Endwall Girt Framing/  
Bearing Frame Endwall**