

# DEAN

DEANSTEELBUILDINGS.COM

# PROVR

Choose ProVR if you are looking for a high performance structural metal roofing system that is not only aesthetically pleasing but is also structurally sound.

## Locations:

71 Airport Road  
Thomasville, GA 31757  
229.225.1112

500 Tenth Street  
Cedartown, GA 30125  
770.748.7900

2929 Industrial Avenue  
Fort Myers, FL 33901  
239.334.2432

PAN FLAT  
OR STRIATED

Dean Steel ProVR Features:  
Extruded vinyl weatherseal for enhanced performance  
2" high standing mechanically seamed side laps.  
Structural performance is ASTM E-1592 tested.  
Meets Florida Product Approval.

## CALL TODAY!

239.334.1051

PANEL WIDTH

1'-4" (16")

2"



## PROLOK ROOF SYSTEM

The ProLok Roof is a system of structural, standing seam roof panels, over open framing. The panels are attached by clips, which are mechanically seamed in the panel side laps.

## PANEL

The panel is roll-formed at the factory under an accredited quality system. Because the panel is structural, it will span from purlin to purlin without the need for a plywood or decking substrate.

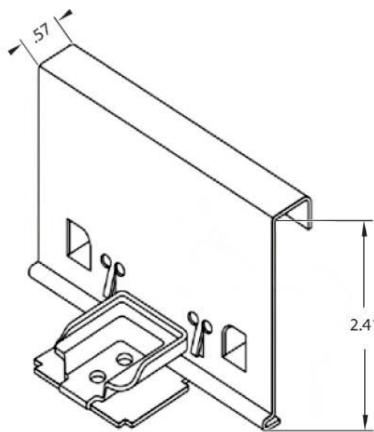
## PANEL & FLASHING MATERIALS

The panels are fabricated from 24-gauge steel, 50,000 psi minimum yield strength. The flashing or finishing trim is 24 or 26-gauge of the same material quality. The panels and trim are available in a variety of color coatings or a clear coat.\*

## CLIPS

Dean utilizes a galvanized, floating clip to fasten the roof panels to the structure. The

floating clip allows the panel to rock over the secondary purlins by using a sliding interlock.



## SEALANTS

The seam sealant is a non-drying, non-hardening, non-oxidizing sealant, specifically formulated for factory sealed standing seam roof panels.

## FASTENERS

The only screws through the ProLok Roof System are at the panel endlaps. The self-drilling, long-life screws are color matched to the panel.

## TESTING DATA

The Dean ProLok panel is tested for wind uplift resistance by the requirements of ASTM E1592 & Factory Mutual 4471 and holds Florida Product Approval #16423.1.

## WARRANTY

Along with color finish warranties, the ProLok Roof System can be warrantied for weather-tightness for up to 20 years.\*



**DEAN**  
DEAN STEEL BUILDINGS, INC.

\*See our website for the latest color and warranty information.

[www.DeanSteelBuildings.com](http://www.DeanSteelBuildings.com)